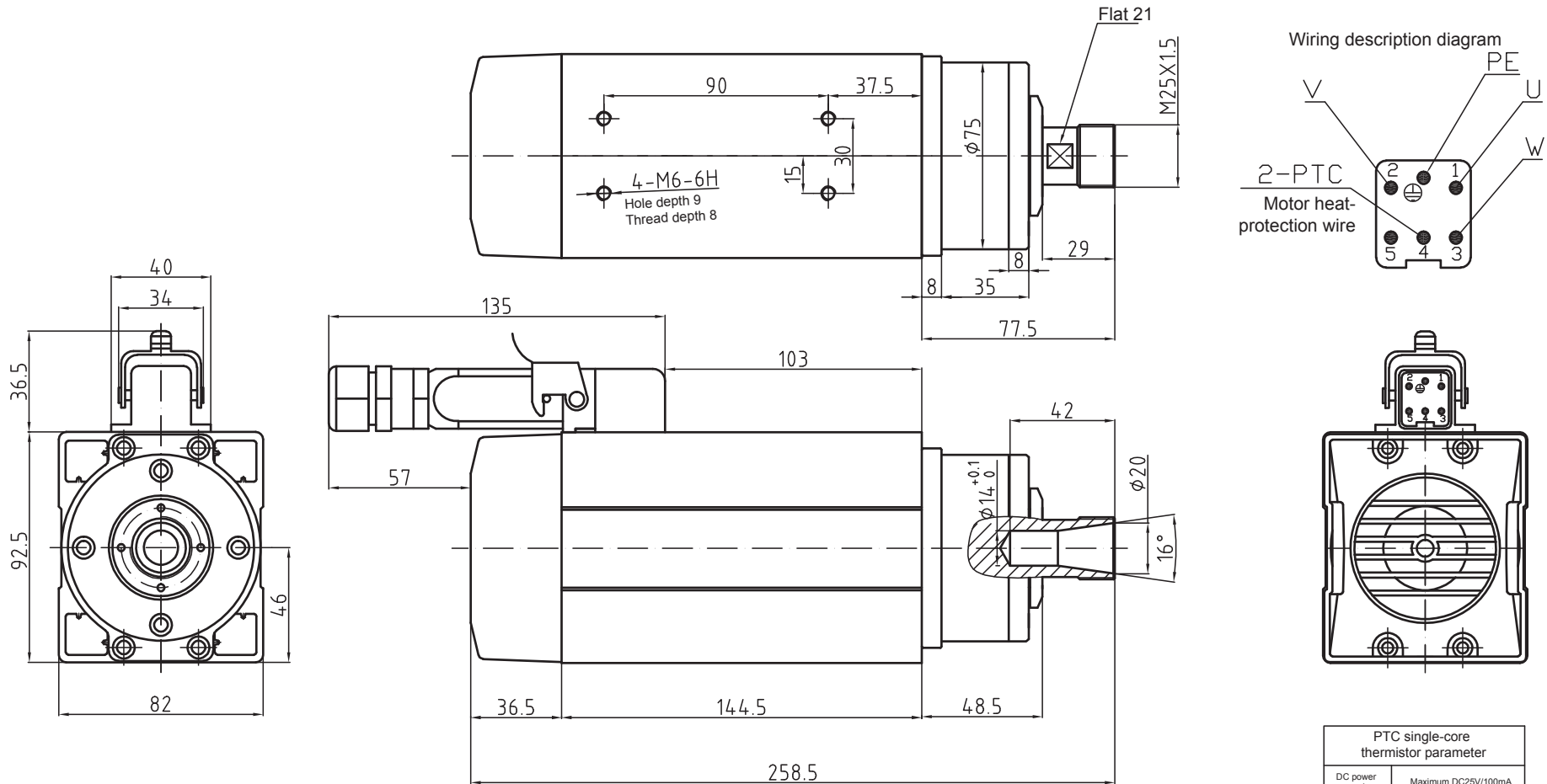


# GDF46-18Z/1.5 220V Outline diagram



## GDF46-18Z/1.5

Power	1.5 kw	Weight: 6KG
Voltage	220 V	ER nut: ER20
Current	5.6 A	Cooling method: air cooling
Frequency	300 Hz	Bearing lubrication method: grease lubrication
Rotating speed	18000 r/min	High-precision angular contact ball bearing: 2×7005C P4/1×6002V P5

Rotating direction: anticlockwise from the shaft extension end

Special attention: thread locking adhesive shall be applied or the spring washer shall be added to prevent the looseness during the installation of the fastening screw!

PTC single-core thermistor parameter	
DC power supply	Maximum DC25V/100mA
-20~25℃	≤100 Ω
≤90℃	≤250 Ω
105℃	≤550 Ω
110℃	Rated operating temperature
115℃	≥1330 Ω
≥125℃	≥4 K Ω
≤160℃	Maximum storage temperature